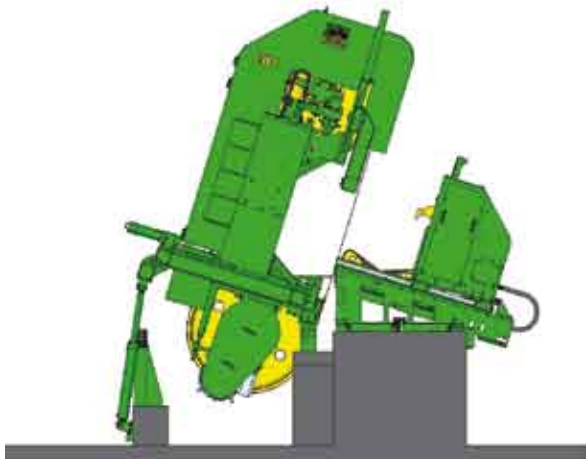


EBB1600 V/17° EW1000 - 17°

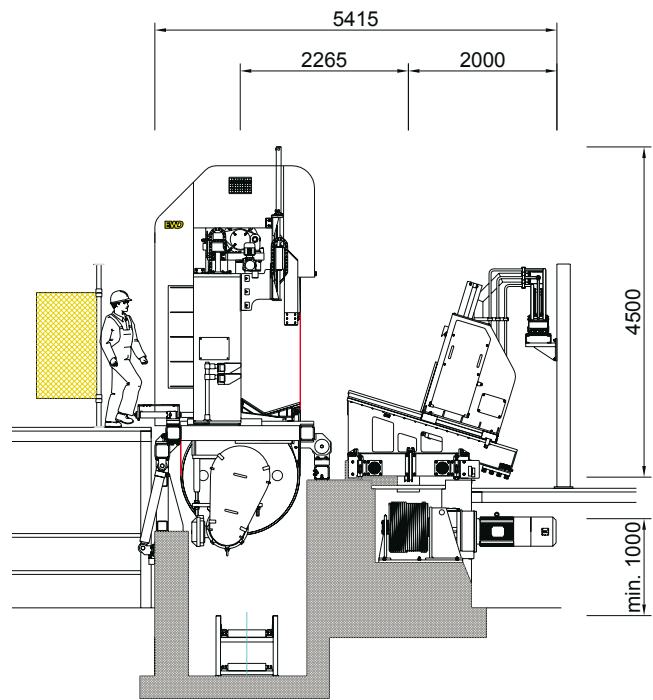
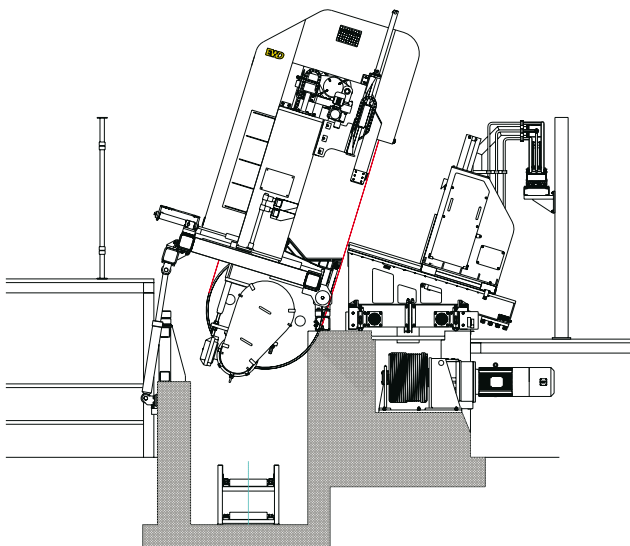
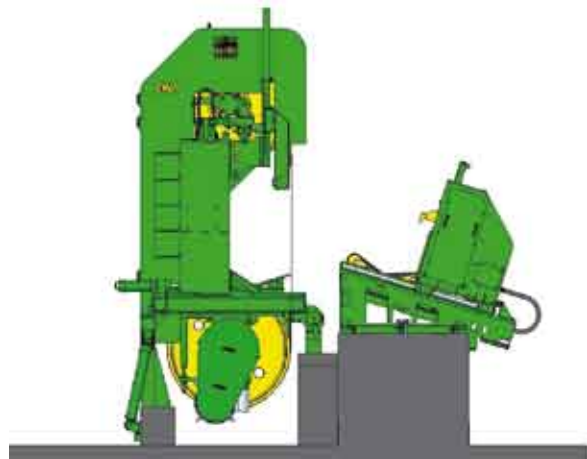


17° slanted log bandmill-modul with 17° slanted log
bandmill carriage for most efficient quality
recovery processing larger logs

Sawing position



Tool changing-position



Esterer WD GmbH | Estererstraße 12 | 84503 Altötting, Germany | phone: +49 (0)86 71 - 5 03 - 0 | fax: +49 (0)86 71 - 5 03 - 386 | info@ewd.de
 Täleswiesenstraße 7 | 72770 Reutlingen, Germany | phone: +49 (0)71 21 - 56 65 - 0 | fax: +49 (0)71 21 - 56 65 - 400 | info@ewd.de

Due to constant product improvements or developments the illustrations and specifications contained in this brochure are subject to change without notice.