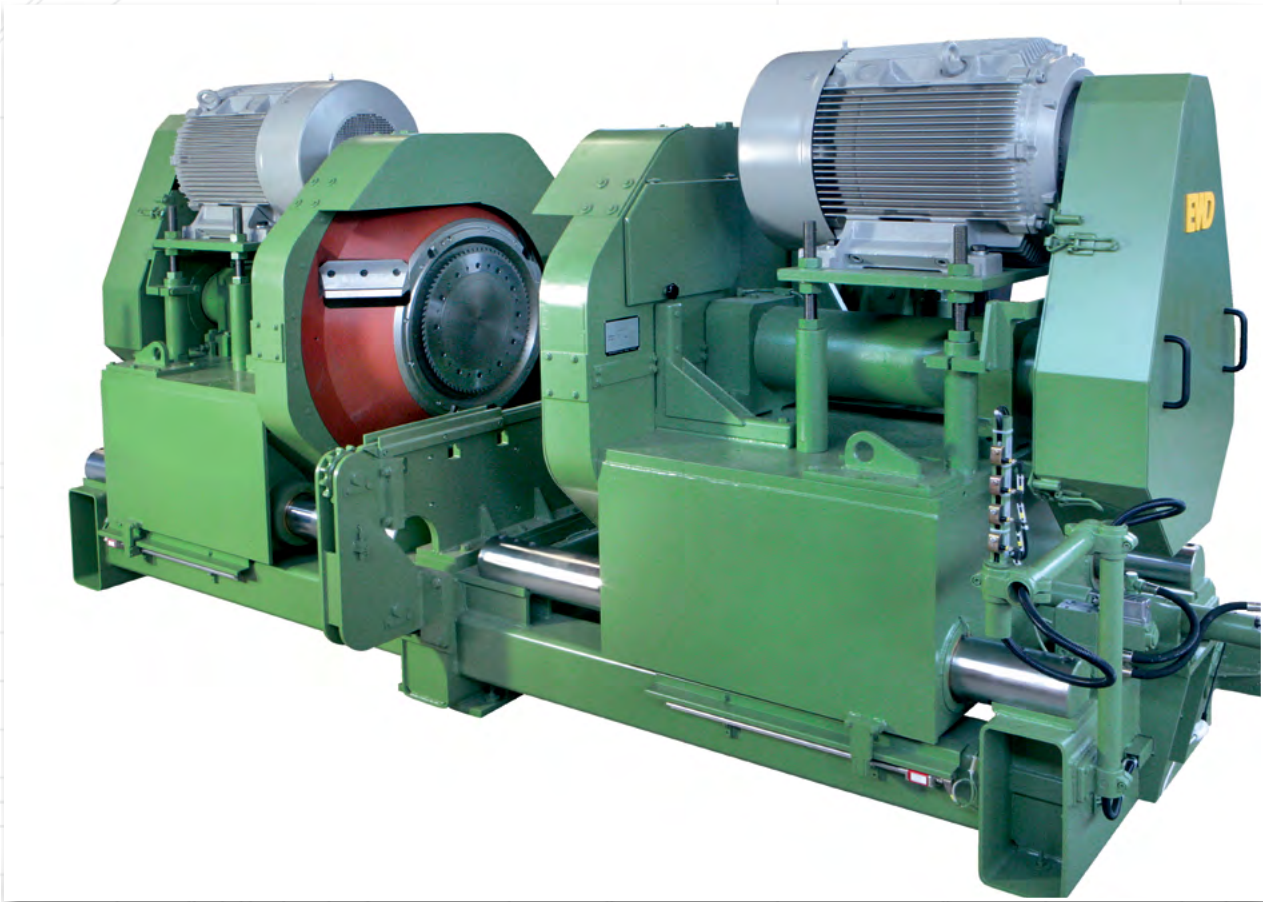


PF 19



Universal chipper canter for  
medium to large sawmills



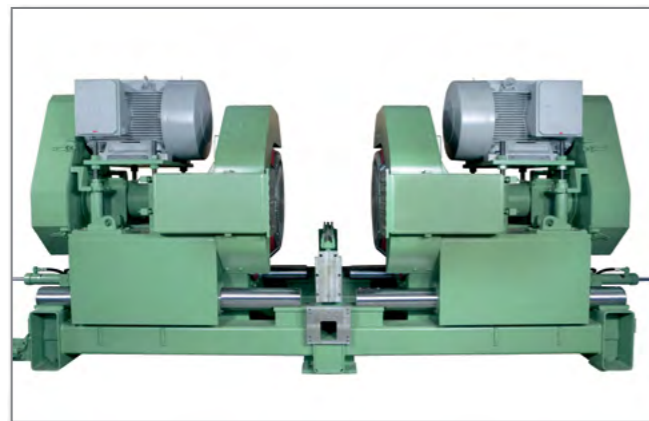
# Universal chipper canter for medium to large sawmills

in Reducer- and Profiling lines



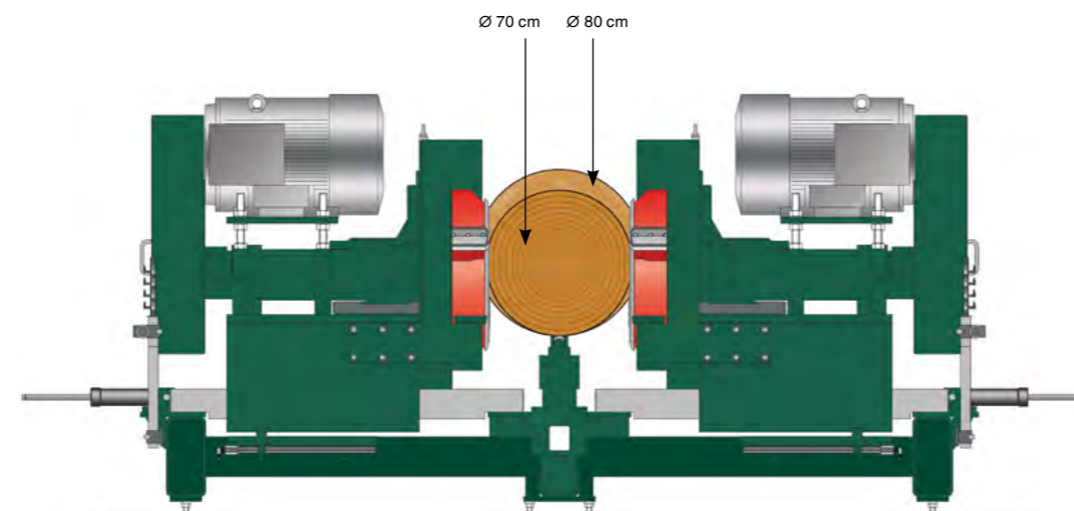
Infeed side view

The chipper canter PF 19 is used in Circular saw or Reducer Bandsaw lines and also in Profiling lines for chipping of two parallel faces on logs or cants. The width adjustment of the chipper head supports is done by servo-hydraulic networks.



Outfeed side view

The produced chips meet the high quality requirements of the pulp industry. The chipper head revolutions are controlled by frequency converter as a function of feed speed and desired chip lengths.



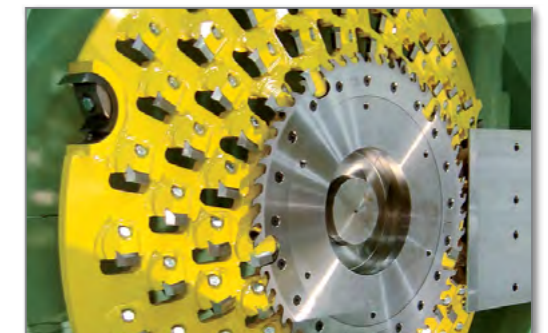
Chipper canter PF 19 with straight knives chipper head



Straight knives chipper head with pre-sawing circular saw ring



Straight knives chipper head with post-sawing circular saw ring for opening of the heads in the cut



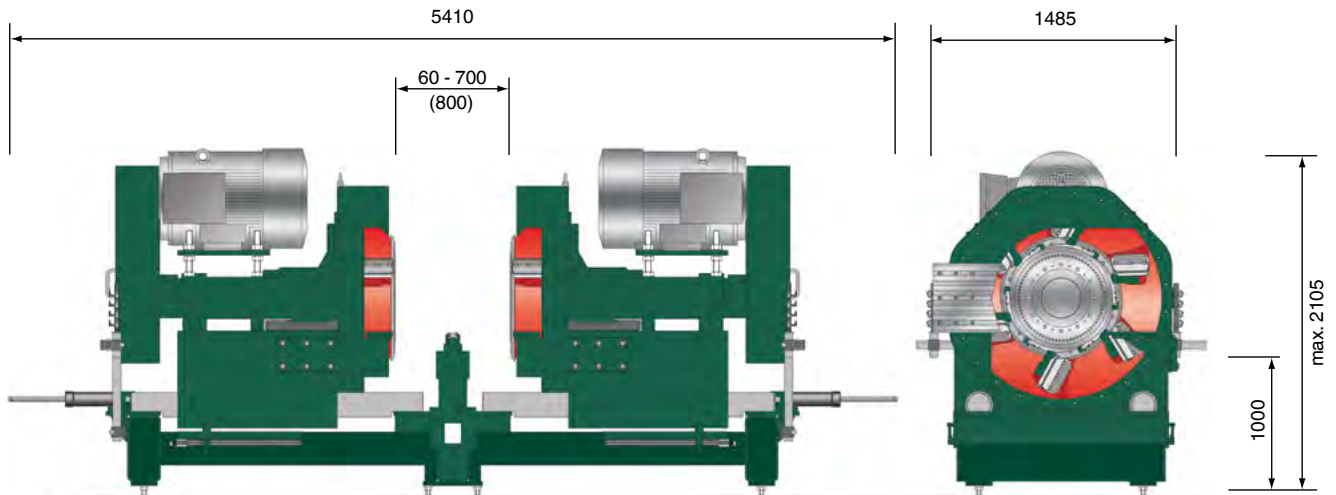
Spiral knives chipper head

The chipper canter PF 19 can be fitted with either straight knives, spiral knives or stepped knives heads. The different head types are matched by the number of tools installed to the speed range planned. All heads are fitted with either pre- or post sawing circular saw rings, depending on the purpose.

## Technical data

| Model  | PF 19  |                           |
|--|--------|---------------------------|
| <b>Chipper head diameter</b>                       |        |                           |
| Straight knives chipper head                       | mm     | 1240                      |
| Spiral knives chipper head                         | mm     | 1260                      |
| <b>No. of main knives (Straight knives head)</b>   | pcs    | 3, 4, 6                   |
| <b>No. of spirals (Spiral knives head)</b>         | pcs    | 3, 4                      |
| <b>Chipping depth per head</b>                     |        |                           |
| Straight knives chipper head                       | mm     | 190                       |
| Spiral knives chipper head                         | mm     | 180                       |
| <b>Chipping height above chain bed max.</b>        |        |                           |
| Straight knives chipper head, pre-sawing           | mm     | 612                       |
| Spiral knives chipper head, pre-sawing             | mm     | 550                       |
| <b>Distance between the chipper heads</b>          | mm     | 60 – 700 (800)            |
| <b>Feed speed</b>                                  | m/min. | 20 – 150                  |
| <b>Drive power</b>                                 | kW     | 2x75 – 2x132 (@ 1500 rpm) |
| <b>Machine weight with drive motors (2x132 kW)</b> | t      | 10,5                      |

### Dimensions (in mm)



Due to constant product improvements or developments the illustrations and specifications contained in this brochure are subject to change without notice.