

CircularSaw & Profiling Technology

NKU 150



Universal double arbor circular resaw
for the packaging lumber industry



EWD
The SawLine Company™

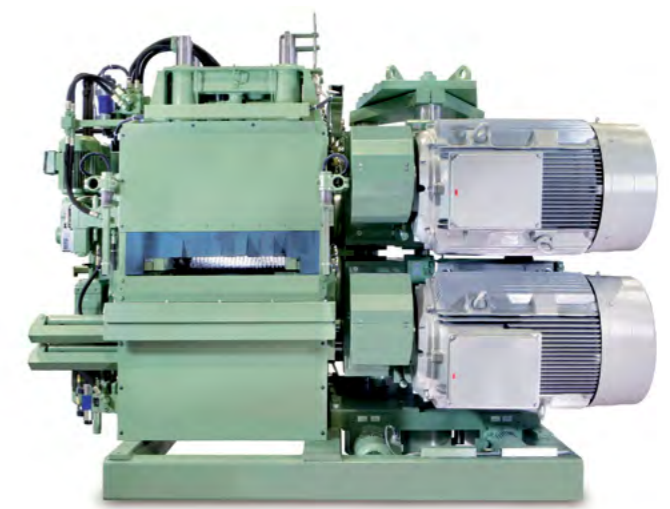
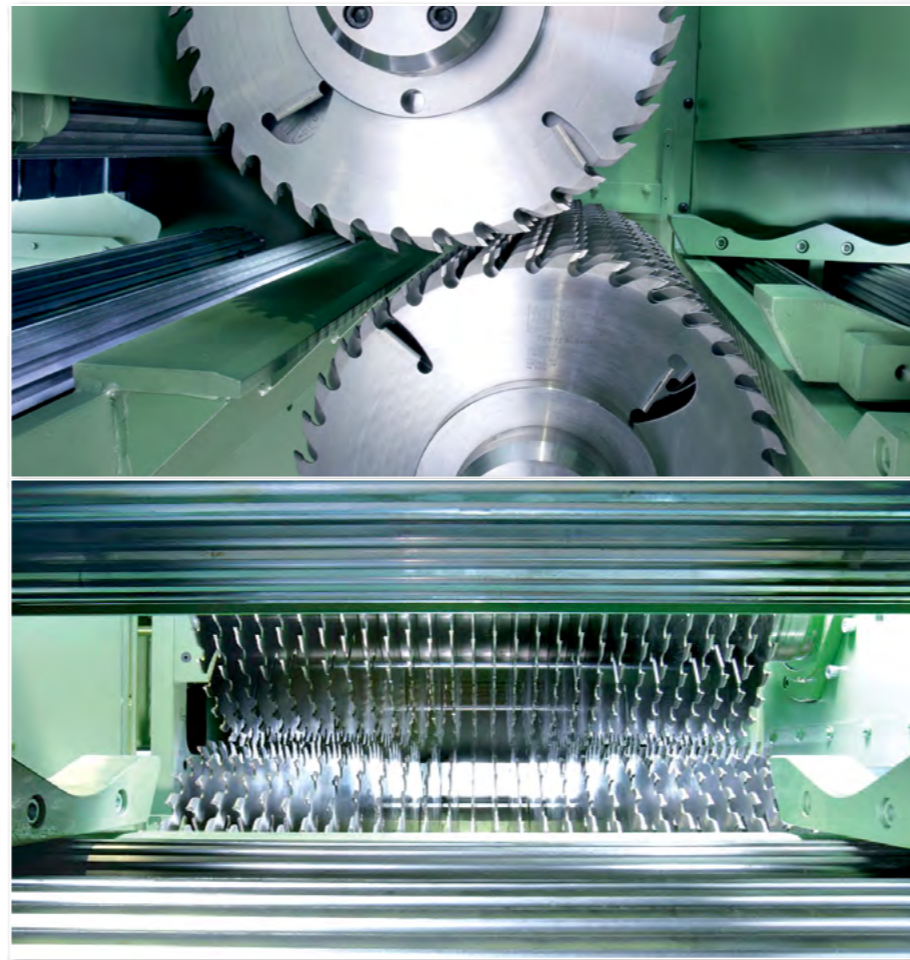
Universal double arbor circular resaw for the packaging lumber industry

for the resawing of 2- and 4-sided cants, with individual height adjustment of the saw arbors by 2 electric motors



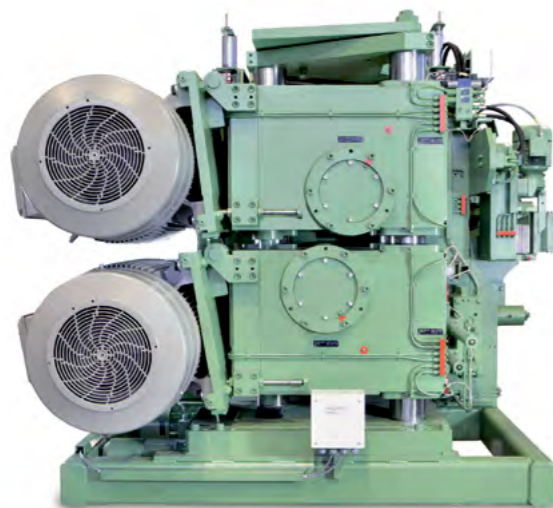
Operating side view

The NKU 150 unit is designed for short lumber length and small saw kerfs for sawing heights up to 160 mm. The solid and robust design is exceptional for this application and allows the use of powerful drive motors, giving superior performance with highest reliability and precision.



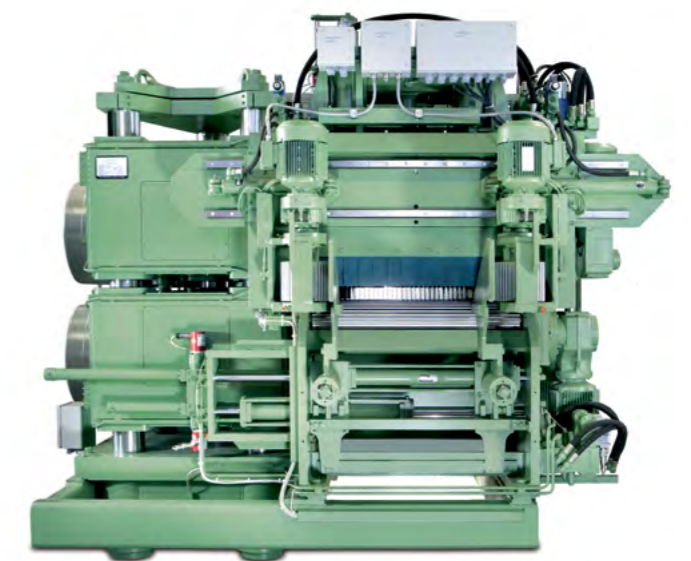
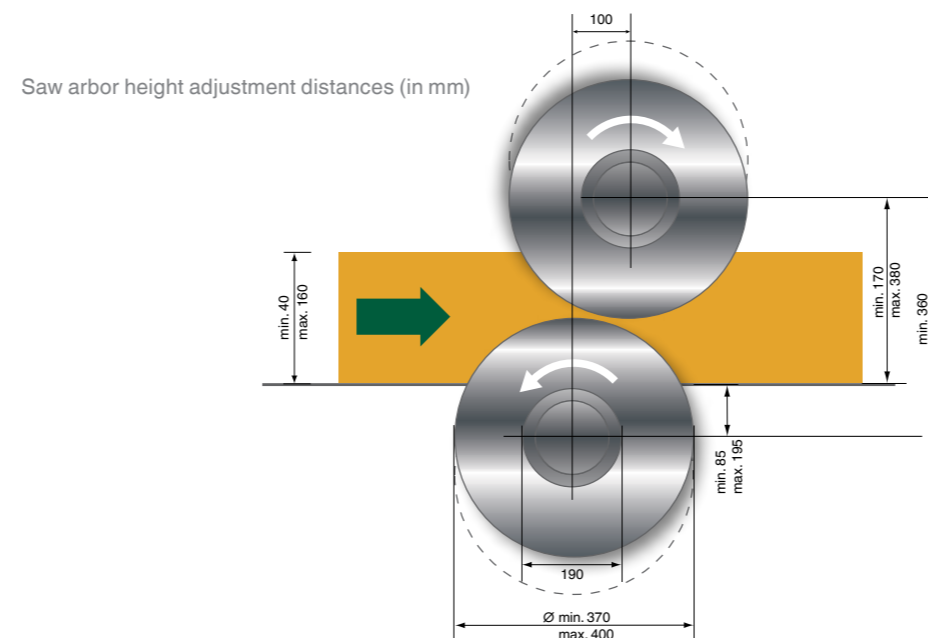
Infeed side view

EWD's machinery program provides positioning and infeed systems to suit all applications and installation situations.



Drive motor side view

The electric driven individual height adjustment of the saw arbors allows to spread the sawing height evenly on top and bottom saw blades and also the use of the optimum saw blade diameter.



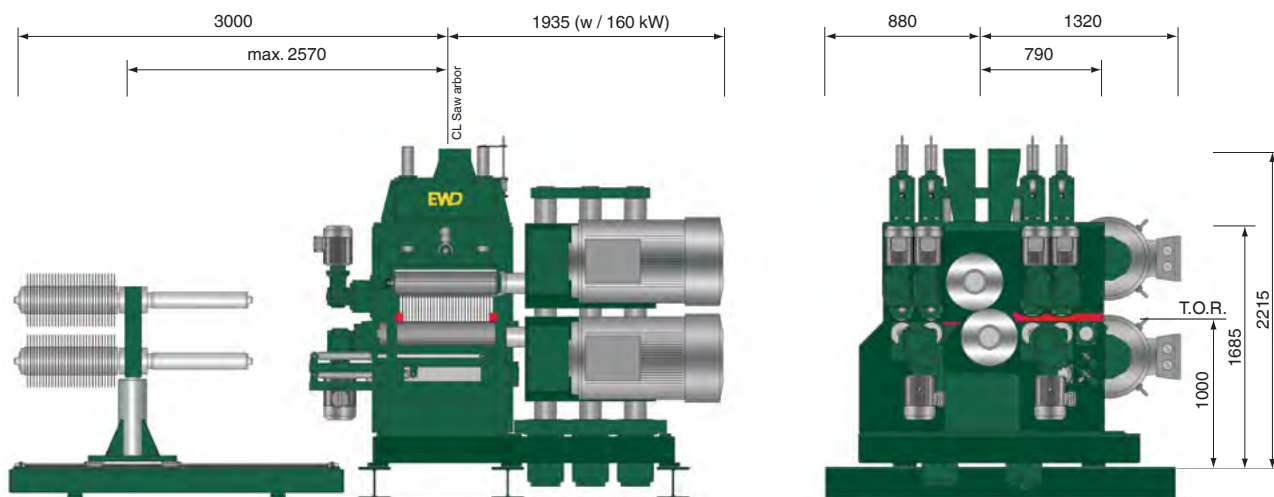
Outfeed side view

Outfeed and side board separation systems are available for the NKU 150 according to the required tasks.

Technical data

Model		NKU 150
Sawing height	mm	40 – 160
Passage height max.	mm	180
Cant length min.	m	1,0 (0,8)
Cant width max.	mm	620
Useable saw sleeve length	mm	615
Machine opening infeed (with line bar)	mm	625
Machine opening outfeed	mm	900
Saw blade diameter top and bottom	mm	370 - 400
Saw arbor diameter	mm	110
Drive motor size	kW	2x160 (@ 2750 rpm)
Feed speed max.	m/min	100
Machine weight with drive motors (2x160kW)	t	12

Dimensions (in mm)



Due to constant product improvements or developments the illustrations and specifications contained in this brochure are subject to change without notice.