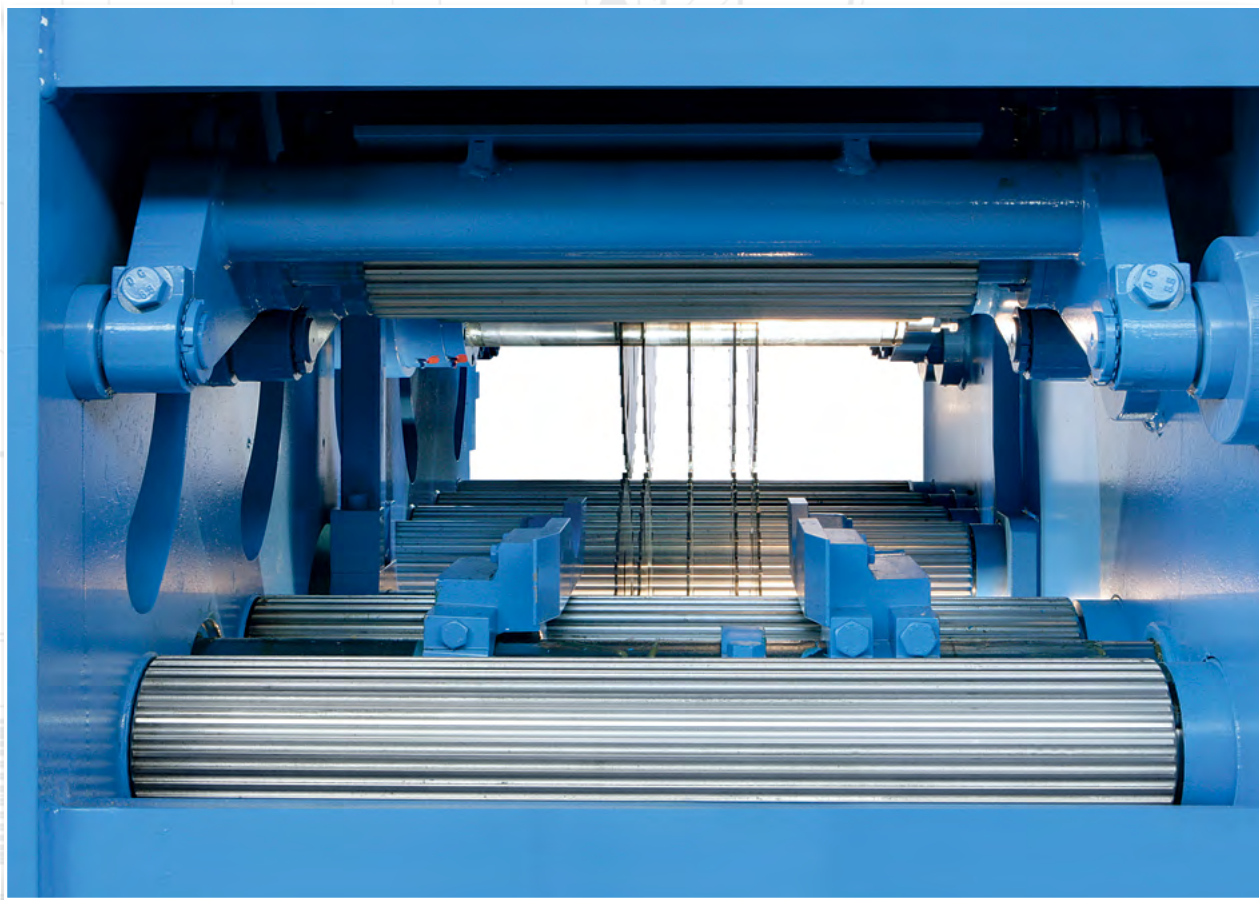


FR 12

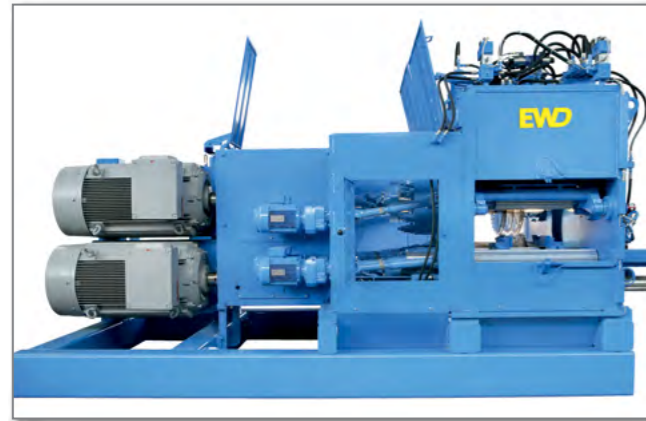


Double arbor circular resaw with
fix-mounted saw blades



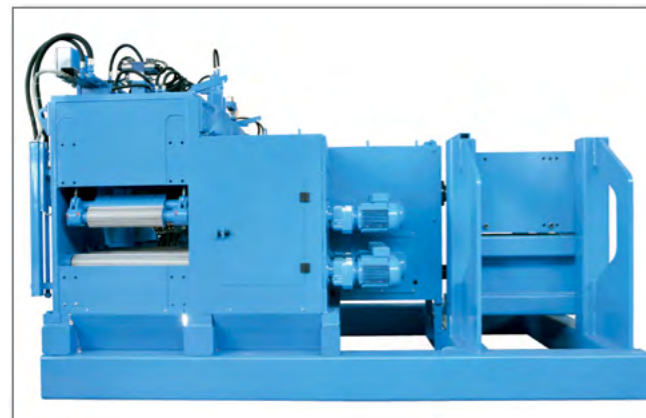
Double arbor circular resaw with fix-mounted saw blades

for the resawing of 2- and 4-sided cants, with hydraulically individual height adjustable saw arbors



Infeed side view

The FR 12 is designed for the industrial production of lumber with the highest size accuracy. The machine is used in medium to large size sawmills. EWD's machinery program provides positioning and infeed systems to suit all applications and installation situations.



Outfeed side view

Outfeed and side board separation systems are available for the FR 12 according to the required tasks. For the production of core-split lumber and small sections, the vertical double arbor circular resaw „FVHTK“ is available as an option.



Double arbor circular saw with lumber guides

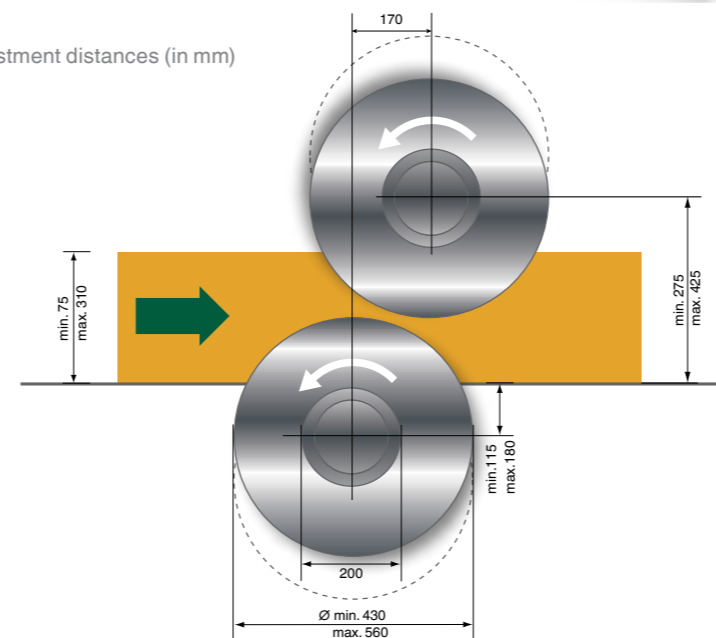
Lumber guides are installed in the FR 12 when the machine is used for the resawing of 4-sided cants. They are fitted with linear distance encoders. The precise positioning is done hydraulically.



Single arbor saw mode

In single arbor saw mode, the maximum sawing height is limited to 130 mm. For tool installations with saw sleeves, separate tool change systems are used for a quick change of the tools.

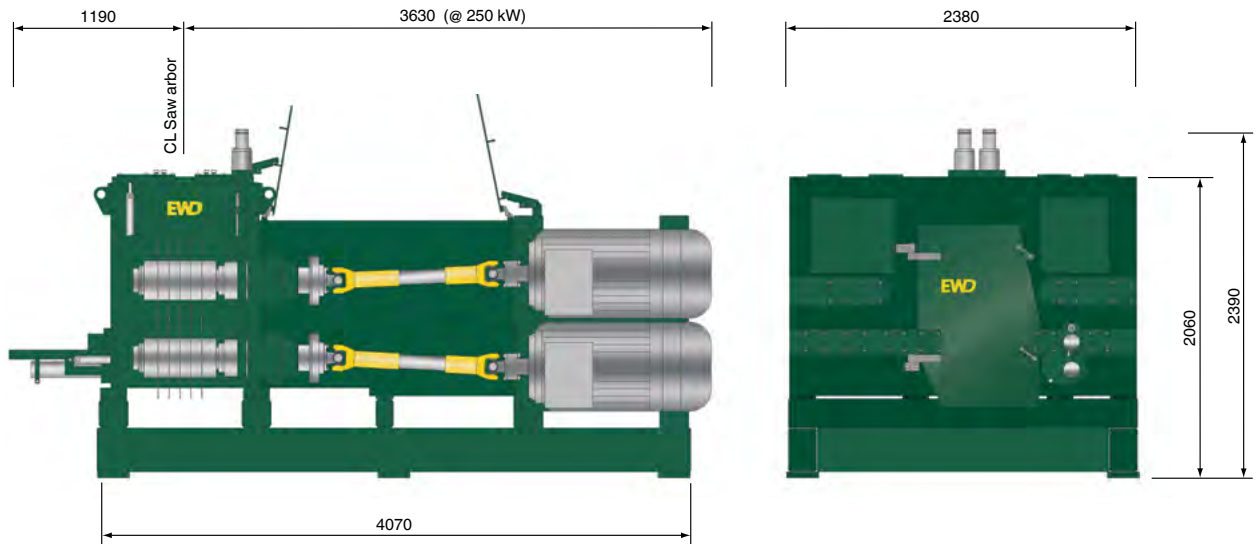
Saw arbors height adjustment distances (in mm)



Technical data

Model		FR 12
Sawing height in double arbor mode	mm	75 – 310
Sawing height in single arbor mode	mm	75 – 130
Useable saw sleeve length	mm	500
Cant length min.	m	2,5
Machine opening with lumber guides	mm	60 – 620
Machine opening without lumber guides	mm	900
Saw arbor diameter for saw sleeve installation	mm	105
Saw arbor diameter for solid arbor	mm	150
Height adjustment top saw arbor	mm	150
Height adjustment bottom saw arbor	mm	65
Saw blade diameter for double arbor saw mode	mm	430 – 560
Drive motor size	kW	2 x 132 – 2 x 315
Feed speed	m/min	25 – 60 (@ 1500 rpm) 60 – 180 (@ 3000 rpm)
Machine weight with drive motors (2 x 250 kW)	t	15

Dimensions (in mm)



Due to constant product improvements or developments the illustrations and specifications contained in this brochure are subject to change without notice.